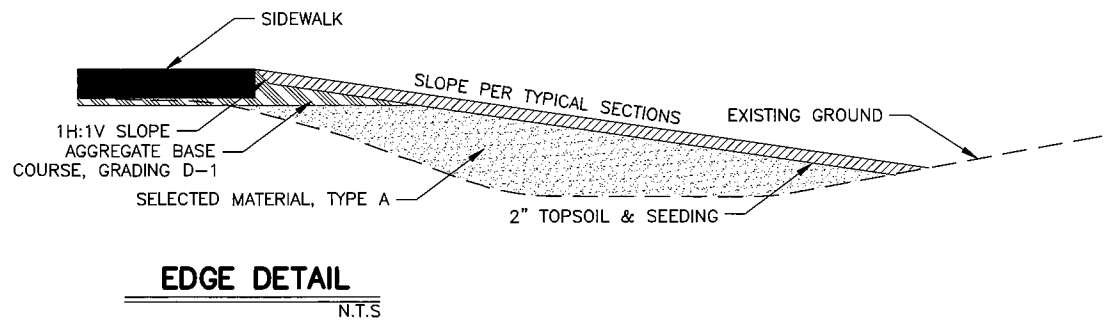
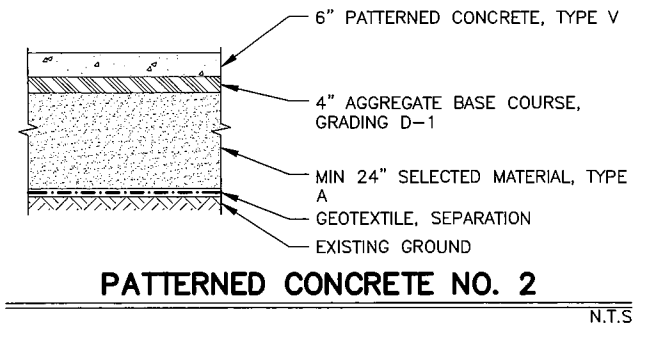
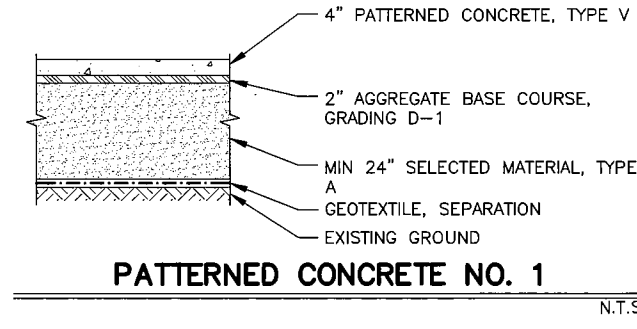
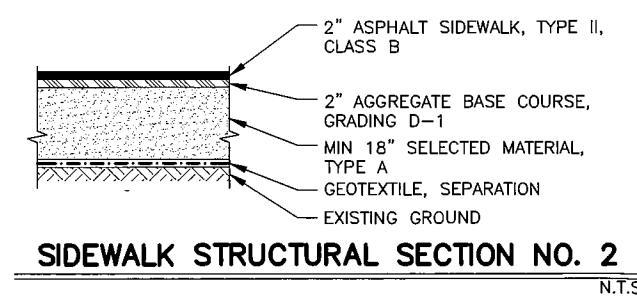
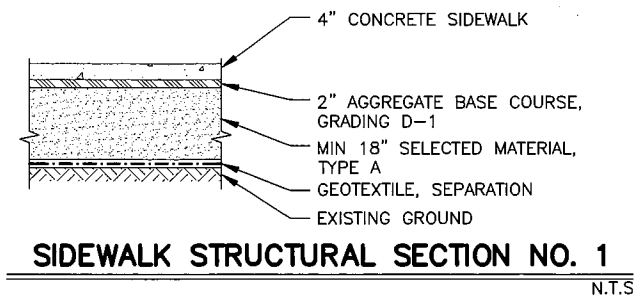
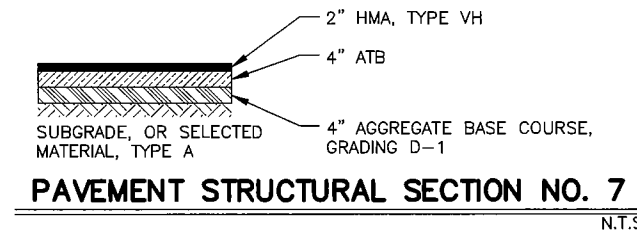
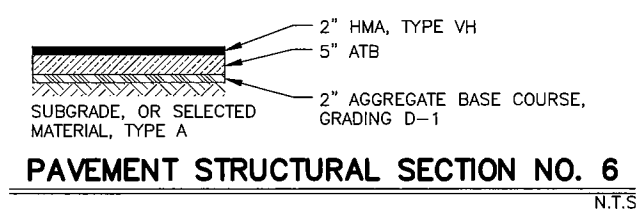
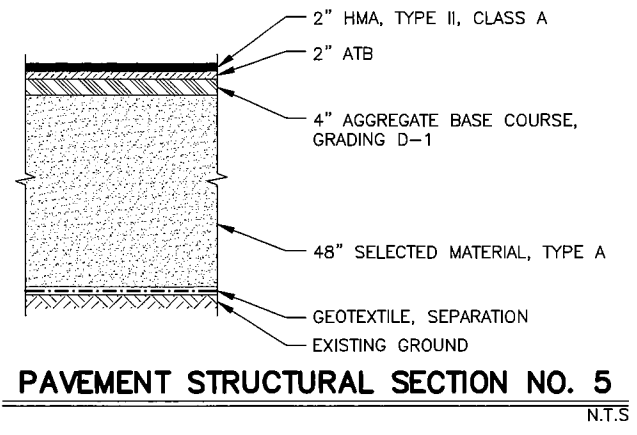
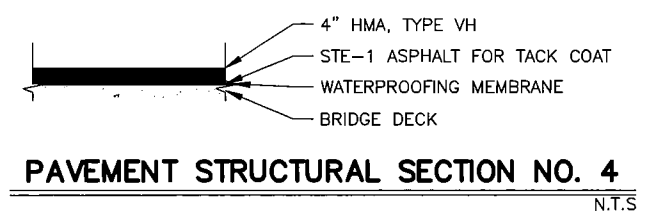
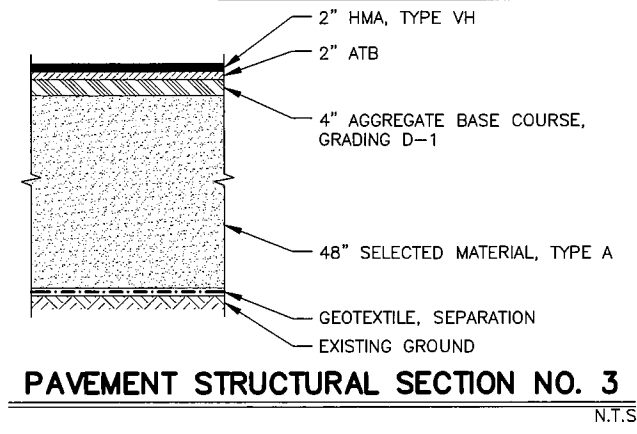
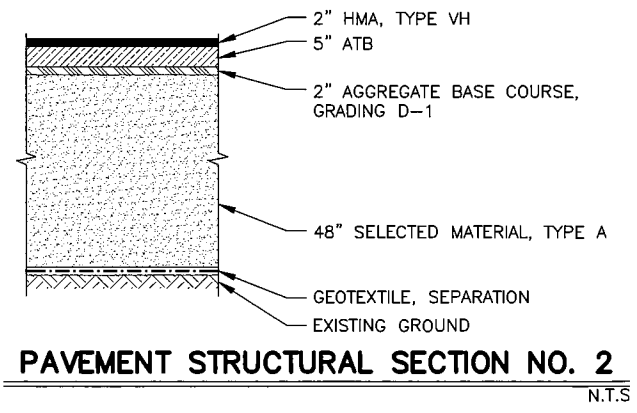
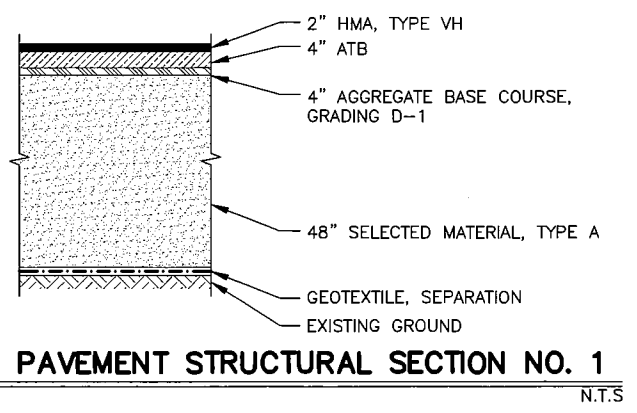


APPENDIX B
Typical Sections

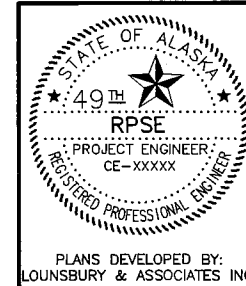
FILE DATE/TIME DESIGNED SA CHECKED -- DRAFTED DJ

NO.	DATE	REVISION	STATE	PROJECT DESIGNATION	YEAR	SHEET NO.	TOTAL SHEETS
			ALASKA	TBD/CFHWY00359	2020	B1	B14



GENERAL NOTES:

1. PLACE GEOTEXTILE BELOW SELECTED MATERIAL, TYPE A ON SUBGRADE, AS DIRECTED BY THE ENGINEER
2. STRUCTURAL SECTIONS AND TYPICAL SECTIONS FOR TEMPORARY DETOURS ARE LOCATED IN THE J SHEETS.



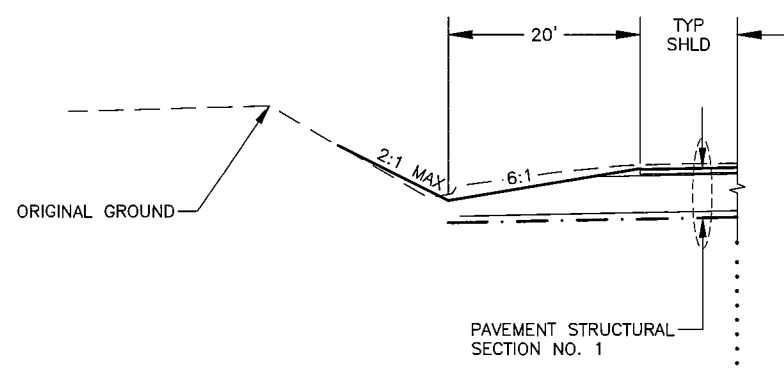
STATE OF ALASKA
DEPARTMENT OF TRANSPORTATION
AND PUBLIC FACILITIES

**DOWLING RD & SEWARD HWY
RECONSTRUCTION**

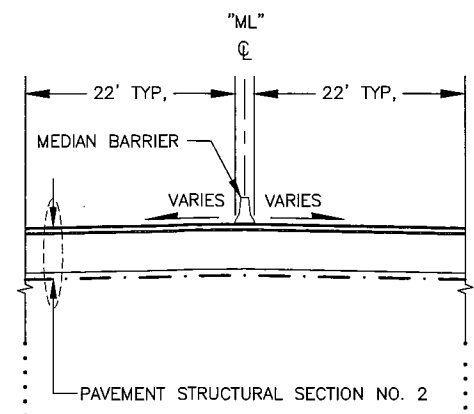
TYPICAL SECTIONS

NO.	DATE	REVISION	STATE	PROJECT DESIGNATION	YEAR	SHEET NO.	TOTAL SHEETS
			ALASKA	TBD/CFHWY00359	2020	B2	B14

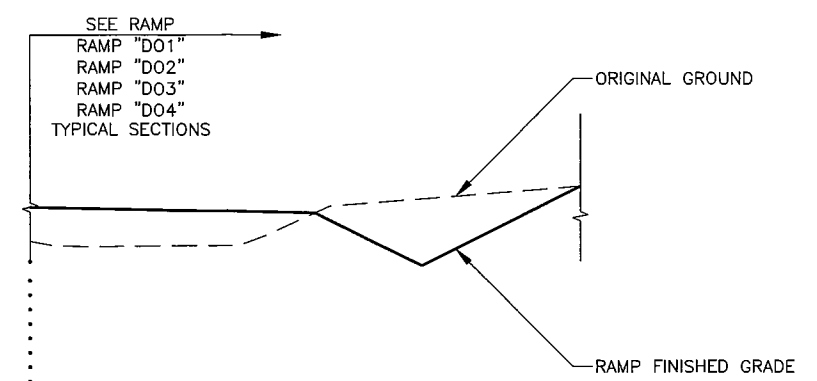
PLANS DEVELOPED BY: LOUNSBURY & ASSOCIATES ADDRESS: 5300 A STREET, ANCHORAGE, AK 99518 PHONE: (907) 272-9451 CERTIFICATE OF AUTHORIZATION NUMBER: AECC391



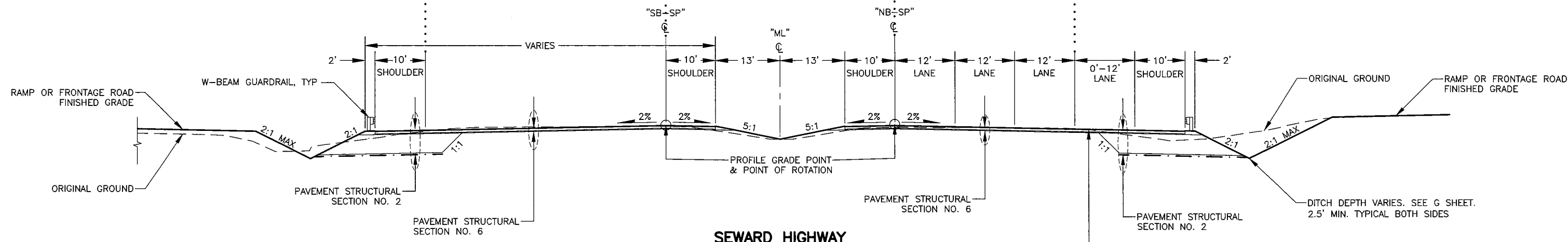
SLOPE EXCEPTION
SEE SUMMARY TABLE N.T.S.
APPLIES TO LT AND RT



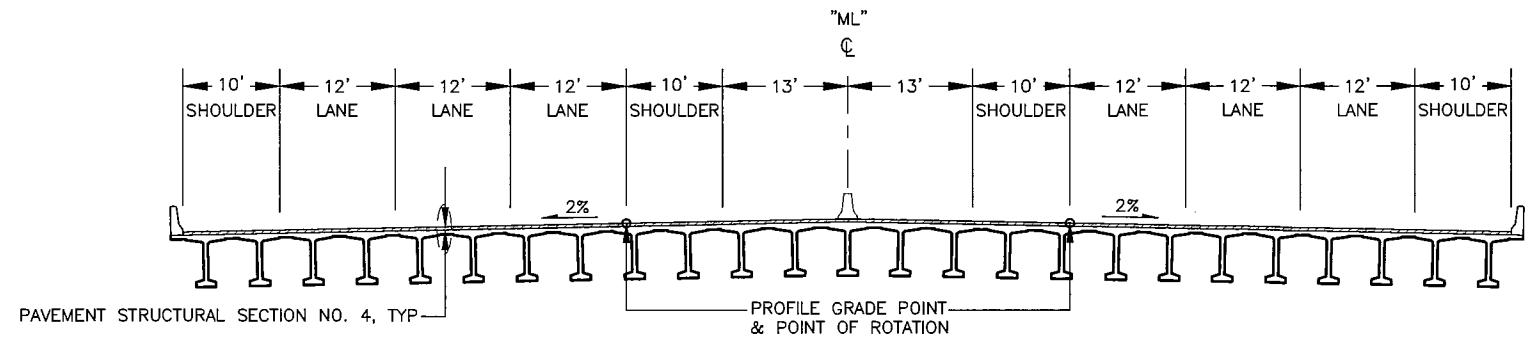
MEDIAN BARRIER EXCEPTION
"ML" STA. 467+00 TO STA. 467+51 N.T.S.



RAMP CONNECTION EXCEPTION
N.T.S.
"ML" STA. 448+15 TO "ML" STA. 452+38 RT
"ML" STA. 474+58 TO "ML" STA. 479+50 RT
"ML" STA. 451+14 TO "ML" STA. 455+10 LT
"ML" STA. 478+25 TO "ML" STA. 481+20 LT



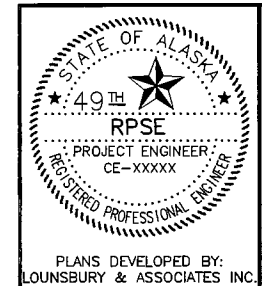
SEWARD HIGHWAY
"ML" STA. 447+00 TO STA. 455+88 N.T.S.
"ML" STA. 467+00 TO STA. 468+00
"NB-SP" STA. 124+98 TO STA. 141+02
"SB-SP" STA. 225+02 TO STA. 240+98



NOTE: BRIDGE SECTION SHOWN FOR REFERENCE ONLY.

SEWARD HIGHWAY - DOWLING ROAD BRIDGE
"ML" STA. 465+15 TO STA. 467+00 N.T.S.

- NOTES:**
- REFER TO SUMMARY TABLES FOR MEDIAN BARRIER LIMITS. TRANSITION DITCH AT 5:1 MAX FROM LIMITS OF PAVING TO DITCH BOTTOM



STATE OF ALASKA
DEPARTMENT OF TRANSPORTATION
AND PUBLIC FACILITIES

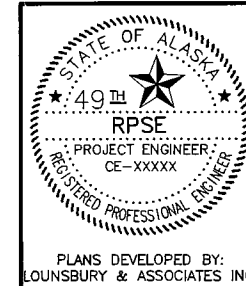
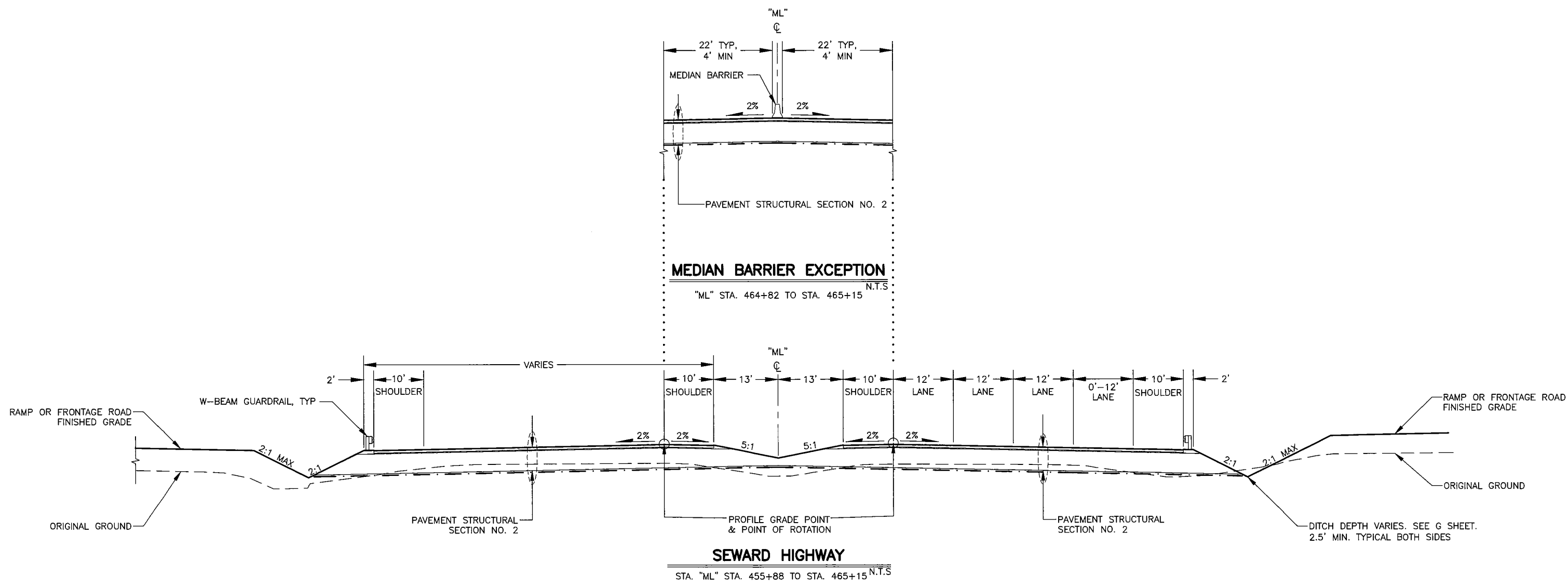
**DOWLING RD & SEWARD HWY
RECONSTRUCTION**

TYPICAL SECTIONS

PLANS DEVELOPED BY:
LOUNSBURY & ASSOCIATES INC.

NO.	DATE	REVISION	STATE	PROJECT DESIGNATION	YEAR	SHEET NO.	TOTAL SHEETS
			ALASKA	TBD/CFHWY00359	2020	B3	B14

PLANS DEVELOPED BY: LOUNSBURY & ASSOCIATES ADDRESS: 5300 A STREET, ANCHORAGE, AK 99518 PHONE: (907) 272-5451 CERTIFICATE OF AUTHORIZATION NUMBER: AECC391
 FILE DESIGN TIME CHECKED DRAFTED DJ

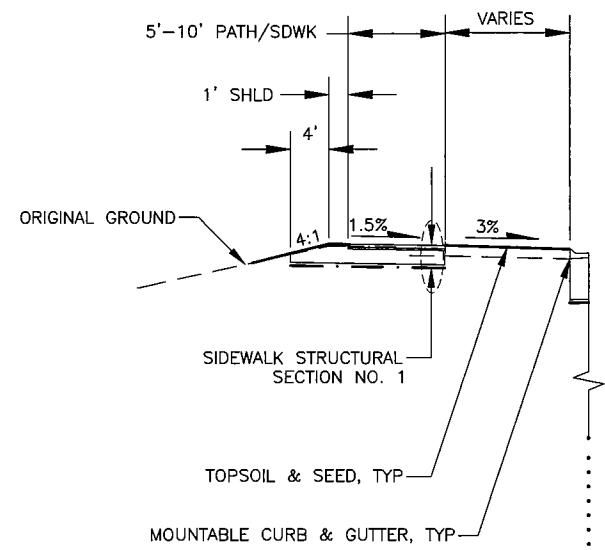


STATE OF ALASKA
 DEPARTMENT OF TRANSPORTATION
 AND PUBLIC FACILITIES
**DOWLING RD & SEWARD HWY
 RECONSTRUCTION**

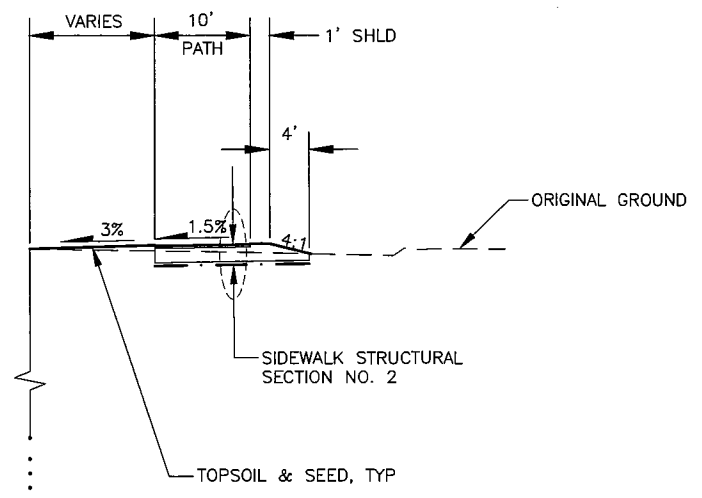
 TYPICAL SECTIONS

NO.	DATE	REVISION	STATE	PROJECT DESIGNATION	YEAR	SHEET NO.	TOTAL SHEETS
			ALASKA	TBD/CFHWY00359	2020	B4	B14

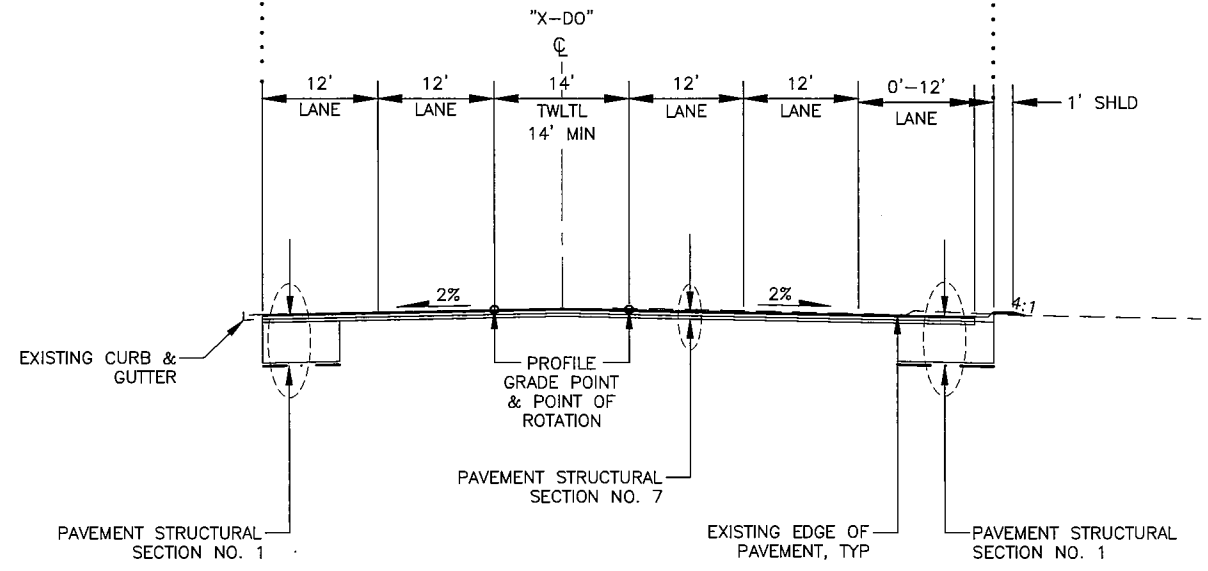
PLANS DEVELOPED BY: LOUNSBURY & ASSOCIATES ADDRESS: 5300 A STREET, ANCHORAGE, AK 99518 PHONE: (907) 272-5451 CERTIFICATE OF AUTHORIZATION NUMBER: AECC391



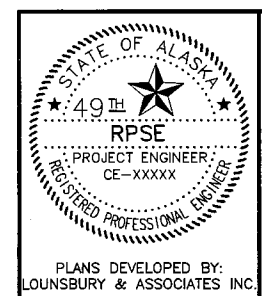
DOWLING RD PATH EXCEPTION NORTH
 "X-DO" STA. 3009+32 TO STA. 3012+81 N.T.S



DOWLING RD PATH EXCEPTION SOUTH
 "X-DO" STA. 3013+14 TO STA. 3013+50 N.T.S



DOWLING ROAD - WEST END
 "X-DO" STA. 3006+68 TO STA. 3013+50 N.T.S



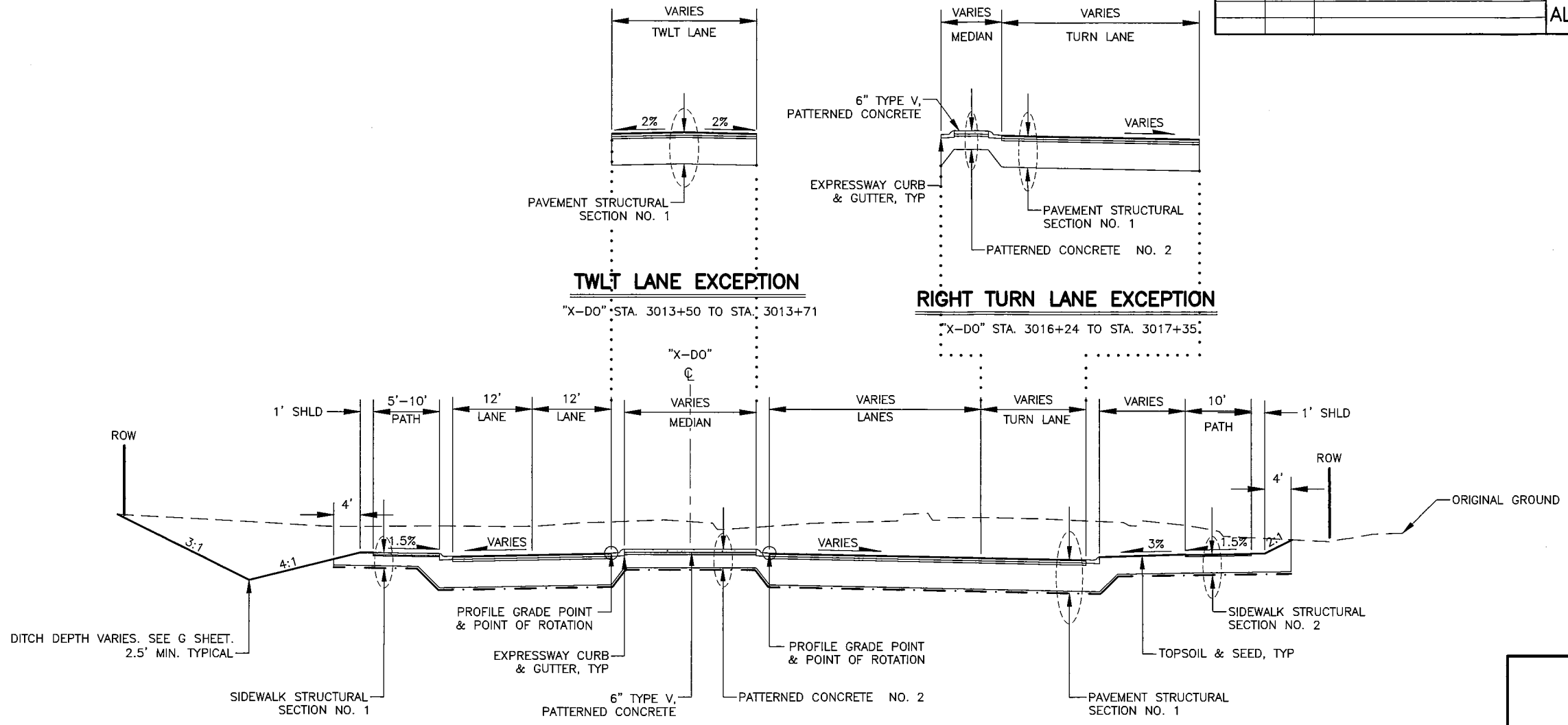
STATE OF ALASKA
 DEPARTMENT OF TRANSPORTATION
 AND PUBLIC FACILITIES

**DOWLING RD & SEWARD HWY
 RECONSTRUCTION**

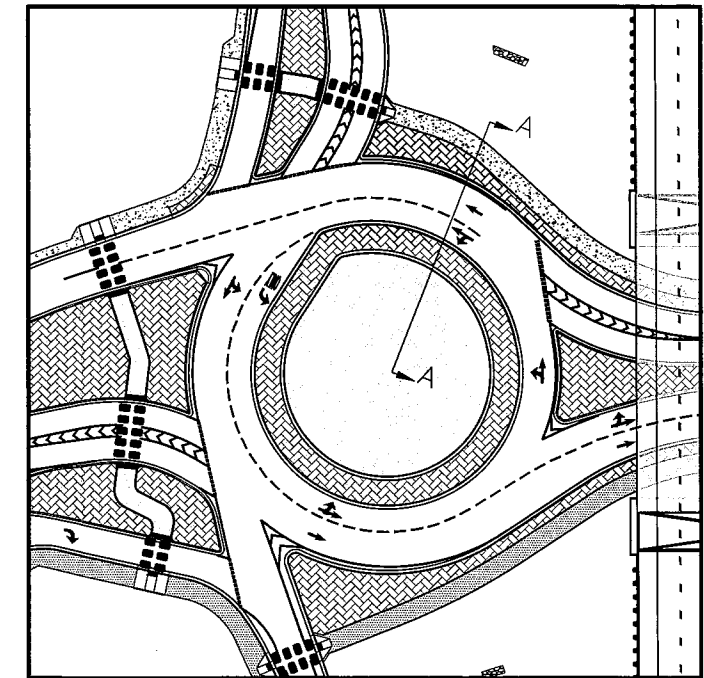
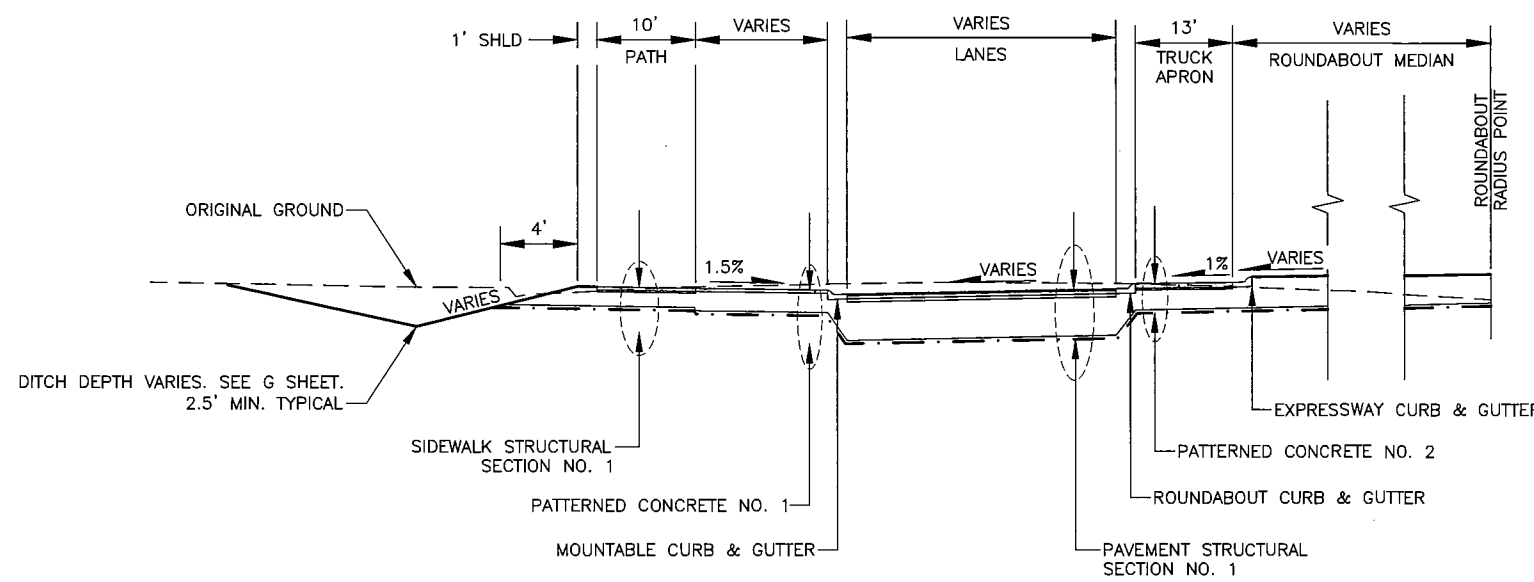
TYPICAL SECTIONS

NO.	DATE	REVISION	STATE	PROJECT DESIGNATION	YEAR	SHEET NO.	TOTAL SHEETS
			ALASKA	TBD/CFHWY00359	2020	B5	B14

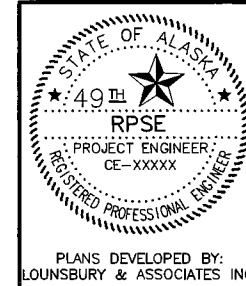
PLANS DEVELOPED BY: LOUNSBURY & ASSOCIATES ADDRESS: 5300 A STREET, ANCHORAGE, AK 99518 PHONE: (907) 272-5451 CERTIFICATE OF AUTHORIZATION NUMBER: AECC391



DOWLING ROAD - WEST ROUNDABOUT APPROACH
"X-D0" STA. 3013+50 TO STA. 3017+35



NOTES:
1. SEE PAVEMENT LAYOUT AND GRADING PLANS FOR ALL "VARIES" DIMENSIONS



STATE OF ALASKA
DEPARTMENT OF TRANSPORTATION
AND PUBLIC FACILITIES

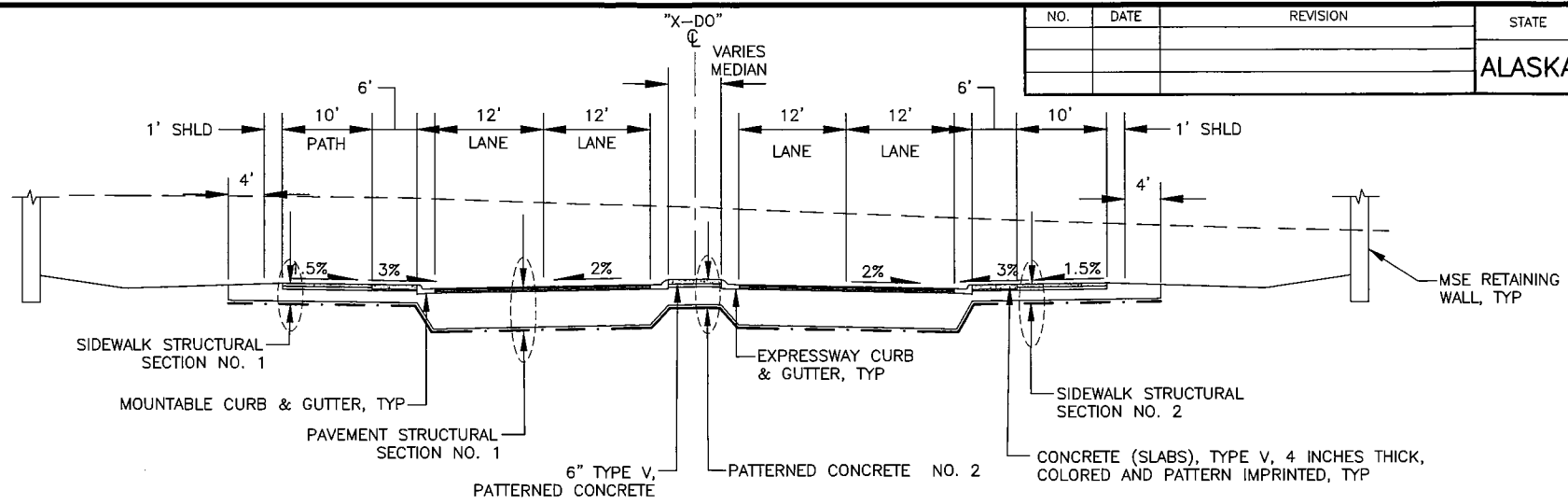
**DOWLING RD & SEWARD HWY
RECONSTRUCTION**

TYPICAL SECTIONS

PLANS DEVELOPED BY:
LOUNSBURY & ASSOCIATES INC.

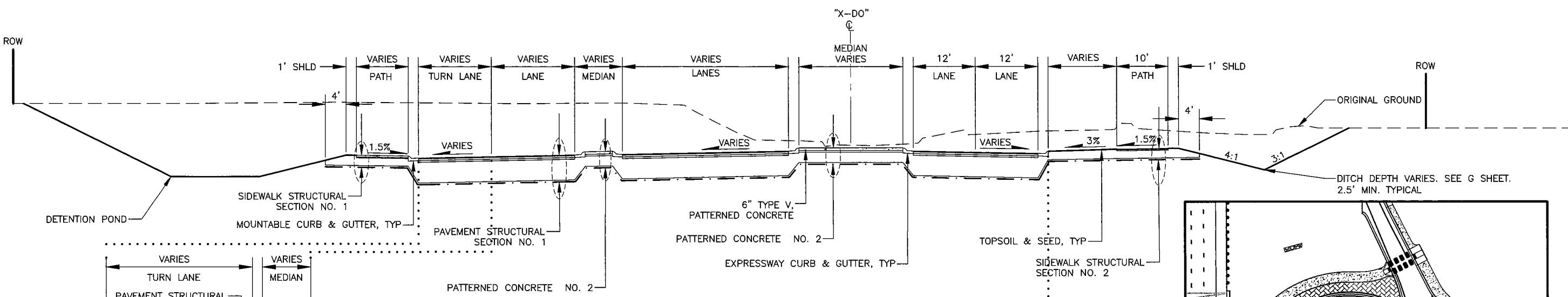
PLANS DEVELOPED BY: LOUNSBURY & ASSOCIATES ADDRESS: 5300 A STREET, ANCHORAGE, AK 99518 PHONE: (907) 272-5451 CERTIFICATE OF AUTHORIZATION NUMBER: AEC0391

NO.	DATE	REVISION	STATE	PROJECT DESIGNATION	YEAR	SHEET NO.	TOTAL SHEETS
			ALASKA	TBD/CFHWY00359	2020	B6	B14



DOWLING ROAD - UNDERPASS

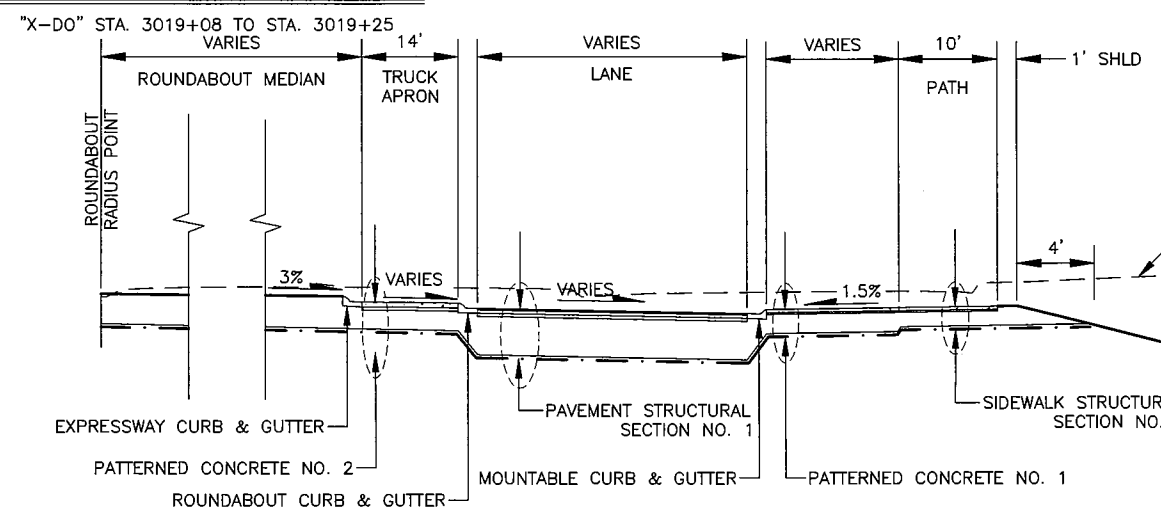
"X-DO" STA. 3019+06 TO STA. 3021+67



DOWLING ROAD - EAST ROUNDABOUT APPROACH

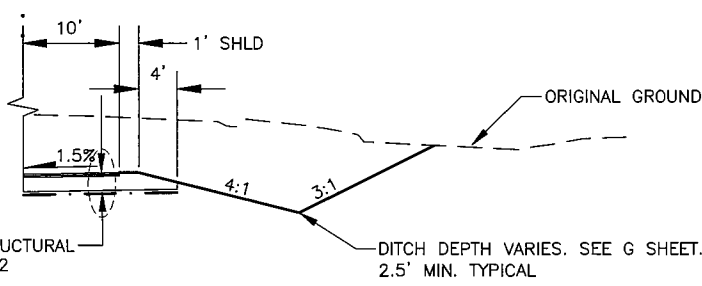
"X-DO" STA. 3023+16 TO STA. 3029+02

RIGHT TURN LANE EXCEPTION



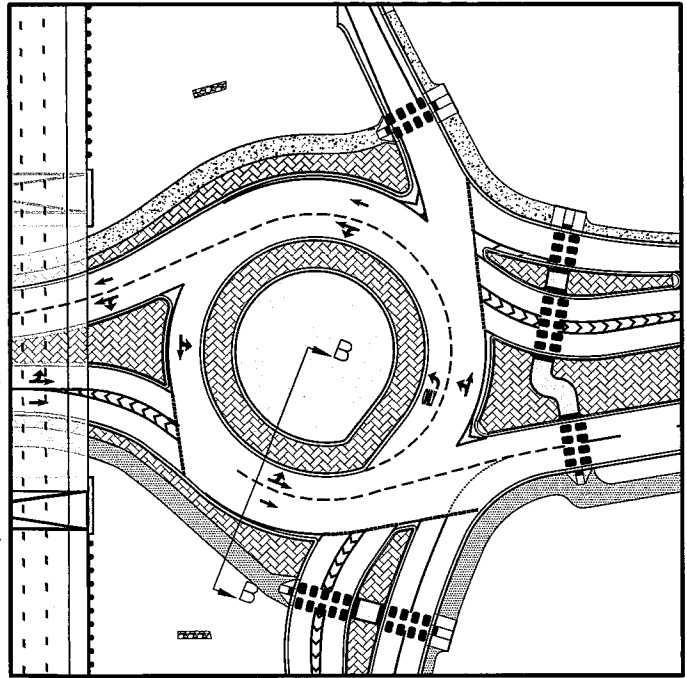
DOWLING ROAD - SECTION B-B

"X-DO" STA. 3021+67 TO STA. 3023+16



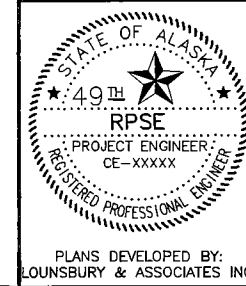
DOWLING RD PATH EXCEPTION SOUTH

"X-DO" STA. 3023+16 TO STA. 3023+66



NOTES:

1. SEE PAVEMENT LAYOUT AND GRADING PLANS FOR ALL "VARIES" DIMENSIONS



STATE OF ALASKA
DEPARTMENT OF TRANSPORTATION AND PUBLIC FACILITIES

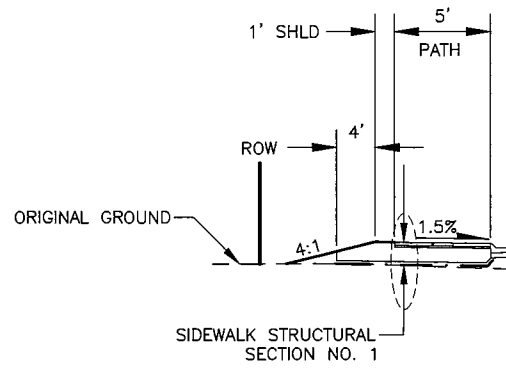
DOWLING RD & SEWARD HWY RECONSTRUCTION

TYPICAL SECTIONS

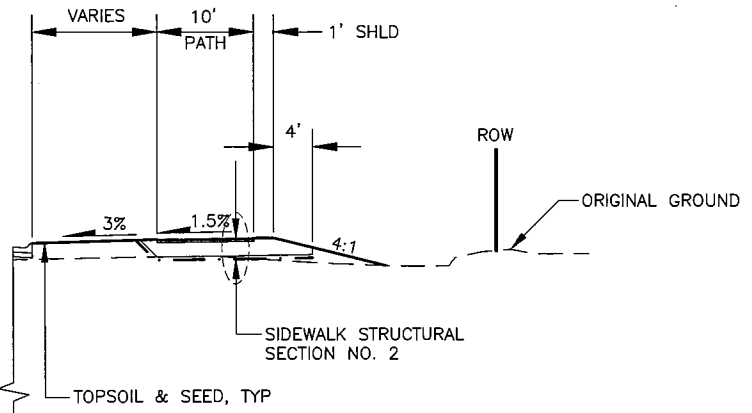
NO.	DATE	REVISION	STATE	PROJECT DESIGNATION	YEAR	SHEET NO.	TOTAL SHEETS
			ALASKA	TBD/CFHWY00359	2020	B7	B14

PLANS DEVELOPED BY: LOUNSBURY & ASSOCIATES ADDRESS: 5300 A STREET, ANCHORAGE, AK 99518 PHONE: (907) 272-5451 CERTIFICATE OF AUTHORIZATION NUMBER: AECC391

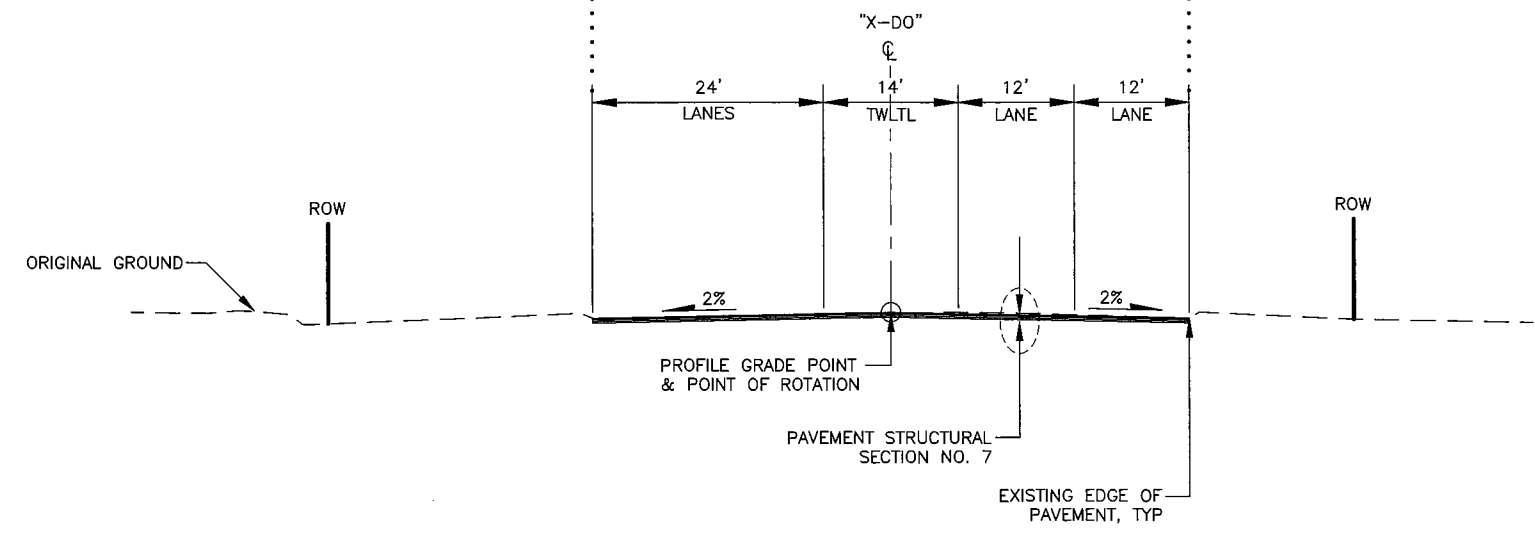
FILE LAYOUT DESIGNED SA CHECKED DJ DRAFTED



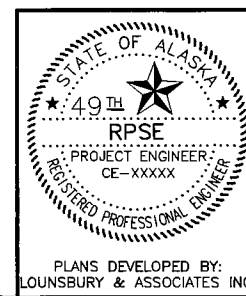
DOWLING RD SIDEWALK EXCEPTION NORTH
 "X-DO" STA. 3029+02 TO STA. 3029+24 N.T.S



DOWLING RD PATH EXCEPTION SOUTH
 "X-DO" STA. 3029+02 TO STA. 3029+25



DOWLING ROAD - EAST END
 "X-DO" STA. 3029+02 TO STA. EOP N.T.S



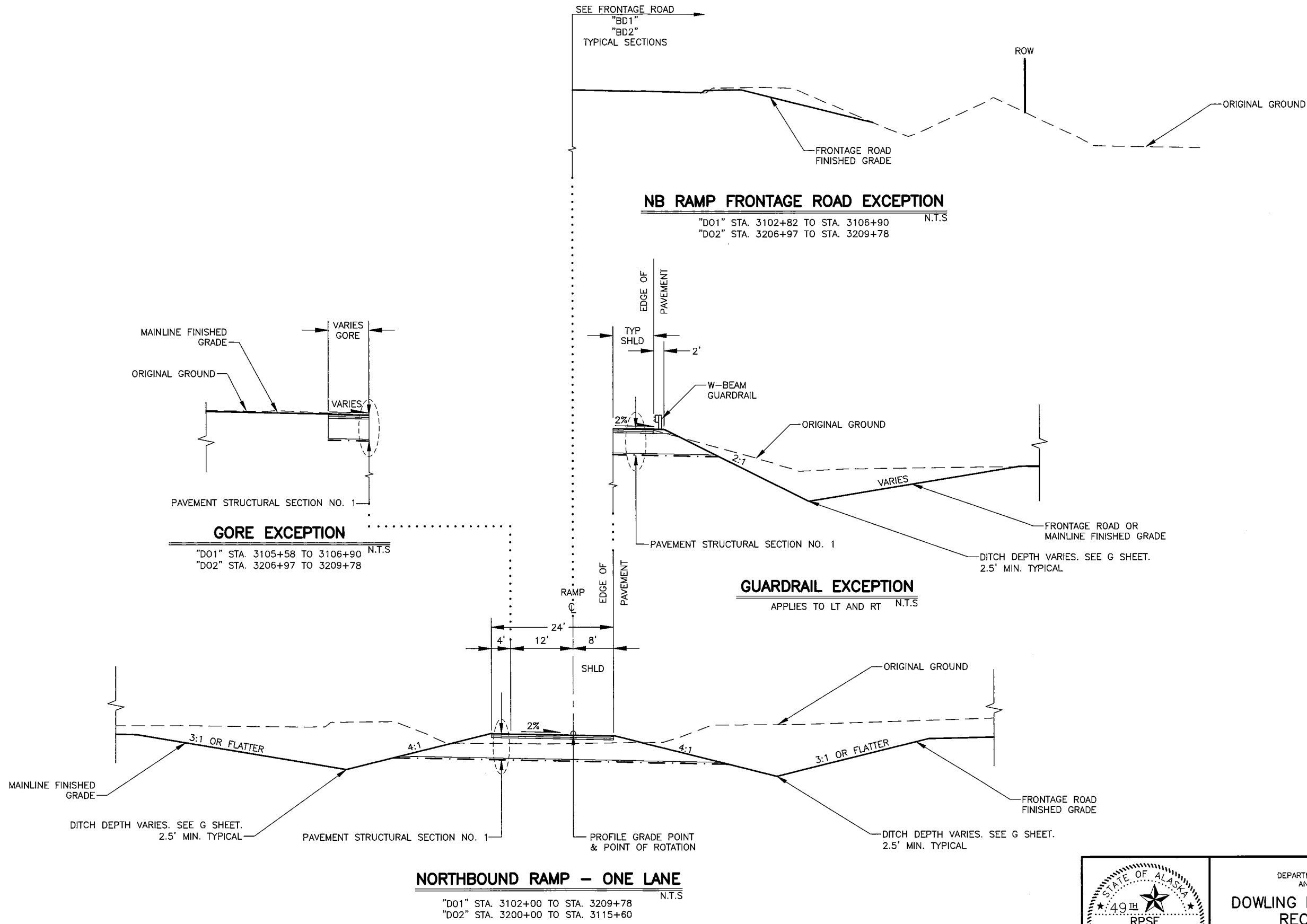
STATE OF ALASKA
 DEPARTMENT OF TRANSPORTATION
 AND PUBLIC FACILITIES

**DOWLING RD & SEWARD HWY
 RECONSTRUCTION**

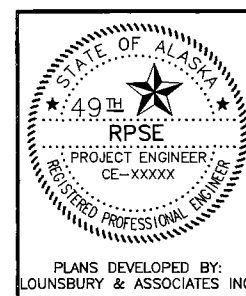
TYPICAL SECTIONS

NO.	DATE	REVISION	STATE	PROJECT DESIGNATION	YEAR	SHEET NO.	TOTAL SHEETS
			ALASKA	TBD/CFHWY00359	2020	B8	B14

PLANS DEVELOPED BY: LOUNSBURY & ASSOCIATES ADDRESS: 5300 A STREET, ANCHORAGE, AK 99518 PHONE: (907) 272-5451 CERTIFICATE OF AUTHORIZATION NUMBER: AECC391



- NOTES:**
- SEE PAVEMENT LAYOUT AND GRADING PLANS FOR ALL "VARIES" DIMENSIONS



STATE OF ALASKA
 DEPARTMENT OF TRANSPORTATION
 AND PUBLIC FACILITIES

**DOWLING RD & SEWARD HWY
 RECONSTRUCTION**

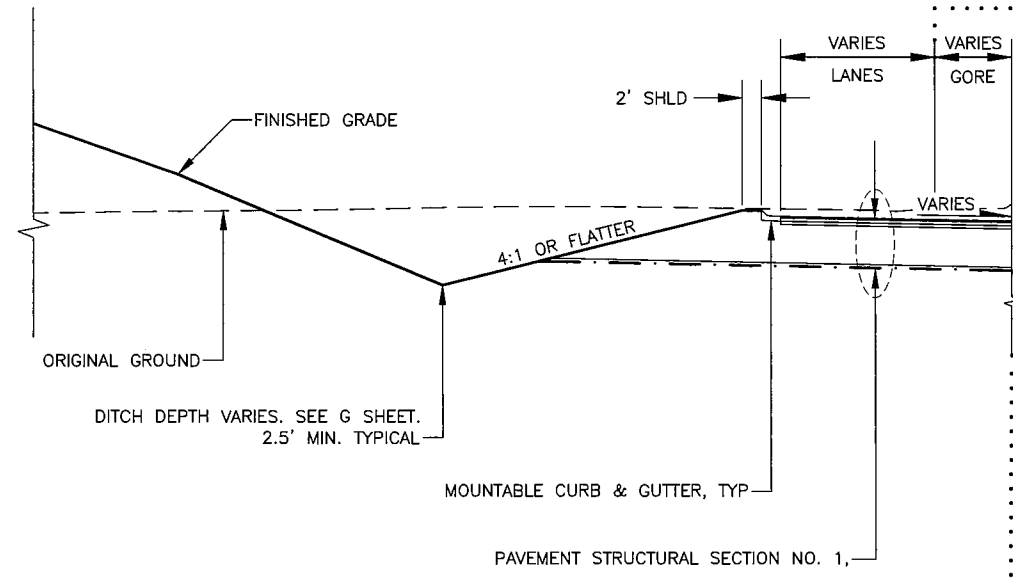
TYPICAL SECTIONS

PLANS DEVELOPED BY:
 LOUNSBURY & ASSOCIATES INC.

NO.	DATE	REVISION	STATE	PROJECT DESIGNATION	YEAR	SHEET NO.	TOTAL SHEETS
			ALASKA	TBD/CFHWY00359	2020	B9	B14

PLANS DEVELOPED BY: LOUNSBURY & ASSOCIATES ADDRESS: 5300 A STREET, ANCHORAGE, AK 99518 PHONE: (907) 272-5451 CERTIFICATE OF AUTHORIZATION NUMBER: AECC391

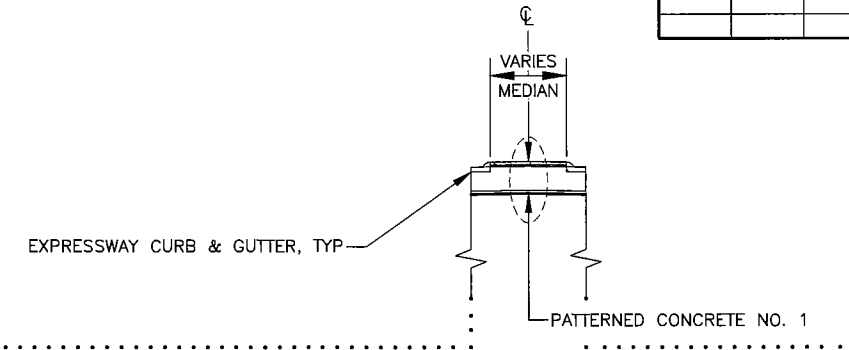
FILE DATE/TIME LAYOUT DESIGNED SA CHECKED DRAFTED DJ



ROUNDBOUT APPROACH GORE EXCEPTION

"D02" STA. 3214+98 TO STA. 3215+97
 "D02" STA. 3215+76 TO STA. 3217+01*
 *APPLIES TO OUTSIDE OF LT LANE

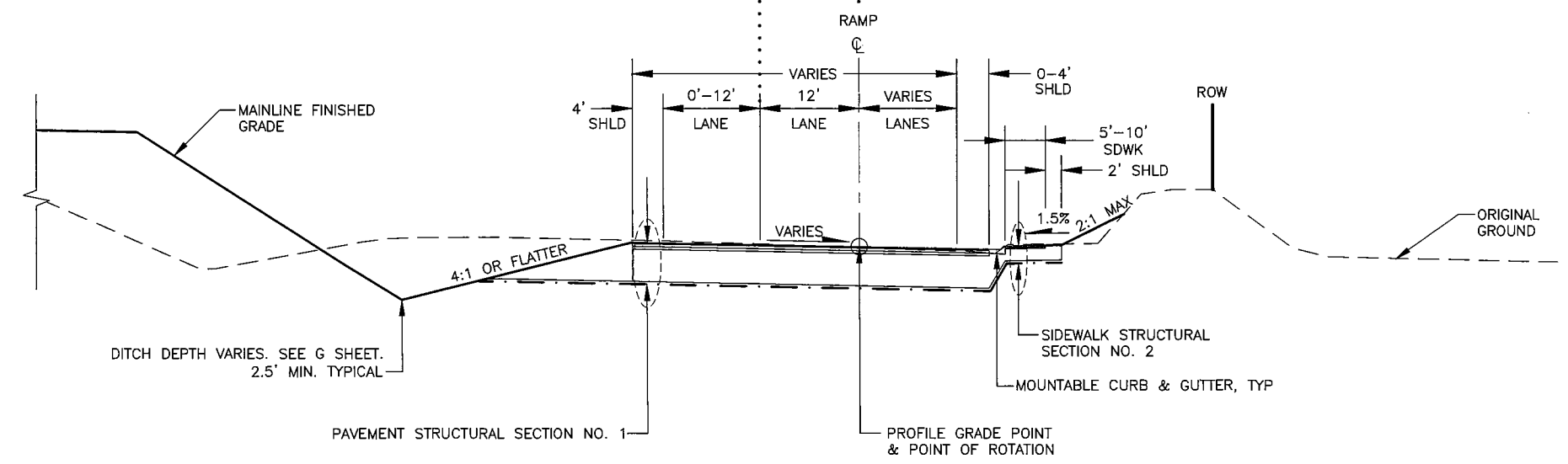
N.T.S



RAISED MEDIAN EXCEPTION

"D02" STA. 3215+97 TO STA. 3217+12

N.T.S



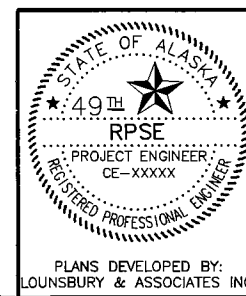
NORTHBOUND RAMP 3-LANE

"D02" STA. 3209+78 TO STA. 3217+12

N.T.S

NOTES:

- SEE PAVEMENT LAYOUT AND GRADING PLANS FOR ALL "VARIES" DIMENSIONS

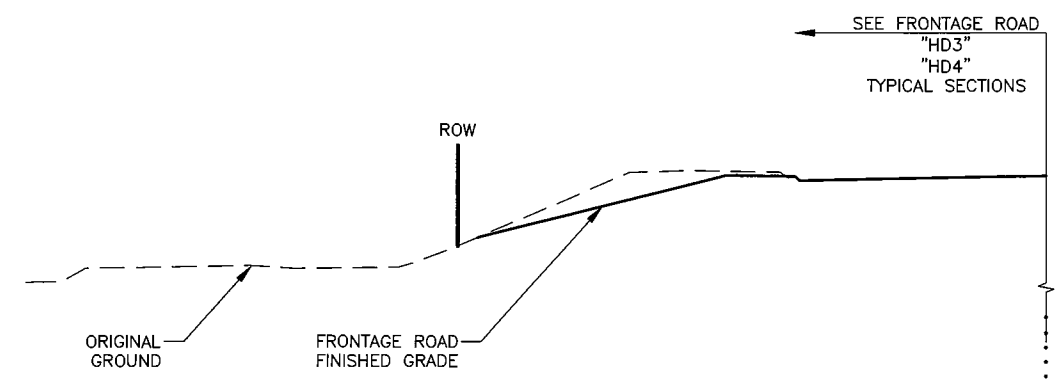


STATE OF ALASKA
 DEPARTMENT OF TRANSPORTATION
 AND PUBLIC FACILITIES
**DOWLING RD & SEWARD HWY
 RECONSTRUCTION**

TYPICAL SECTIONS

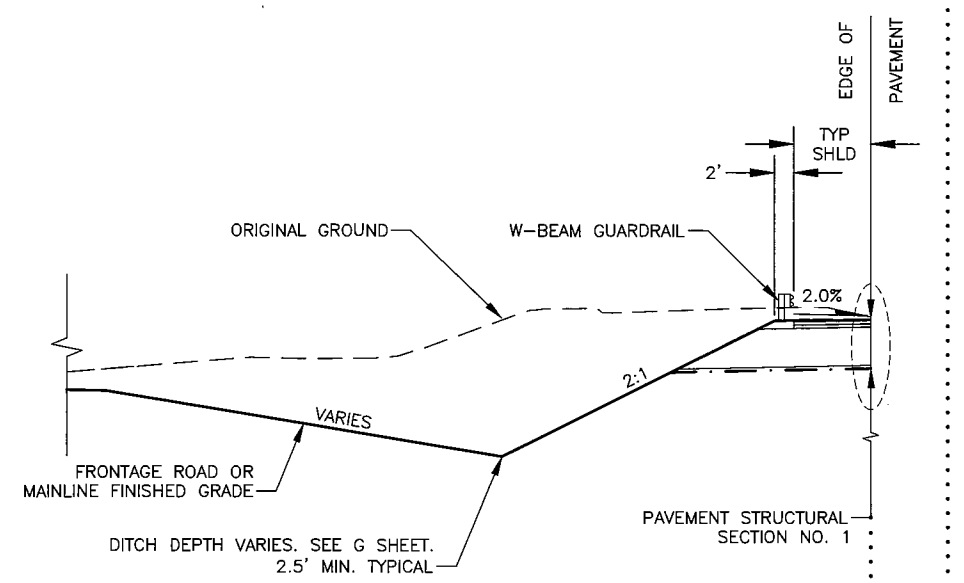
NO.	DATE	REVISION	STATE	PROJECT DESIGNATION	YEAR	SHEET NO.	TOTAL SHEETS
			ALASKA	TBD/CFHWY00359	2020	B10	B14

PLANS DEVELOPED BY: LOUNSBURY & ASSOCIATES ADDRESS: 5300 A STREET, ANCHORAGE, AK 99518 PHONE: (907) 272-5451 CERTIFICATE OF AUTHORIZATION NUMBER: AECC391



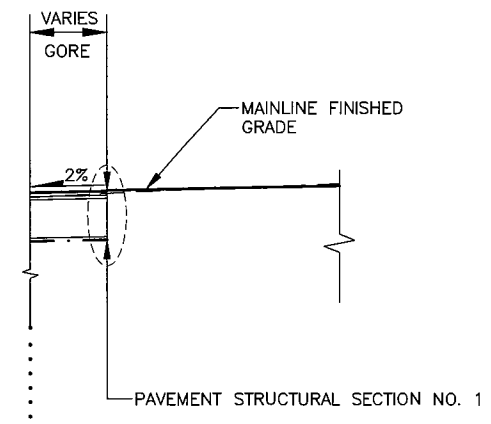
SB RAMP FRONTAGE ROAD EXCEPTION

"D03" STA. 3307+79 TO STA. 3314+50 N.T.S.
 "D04" STA. 3407+68 TO STA. 3410+17



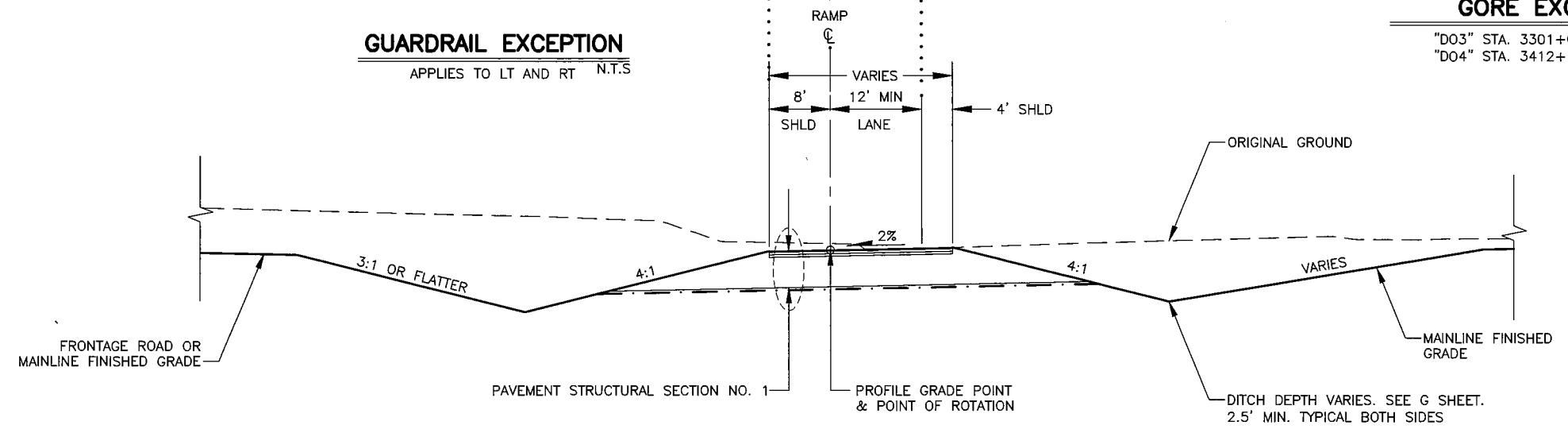
GUARDRAIL EXCEPTION

APPLIES TO LT AND RT N.T.S.



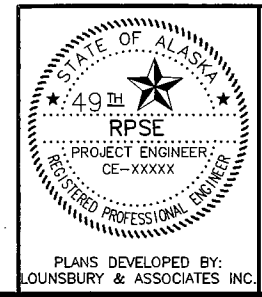
GORE EXCEPTION

"D03" STA. 3301+04 TO 3305+00 N.T.S.
 "D04" STA. 3412+13 TO 3415+06



SOUTHBOUND OFF-RAMP-ONE LANE

"D03" STA. 3300+98 TO STA. 3314+50 N.T.S.
 "D04" STA. 3407+68 TO STA. 3415+00



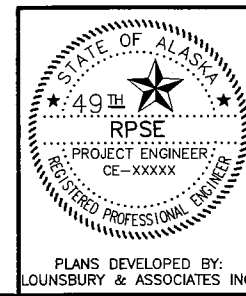
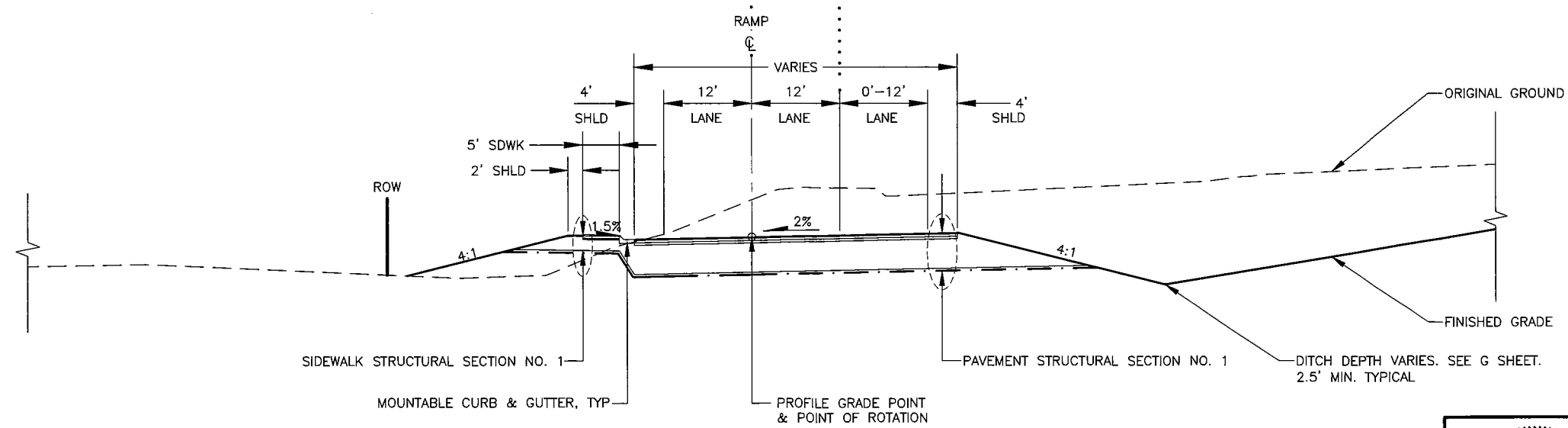
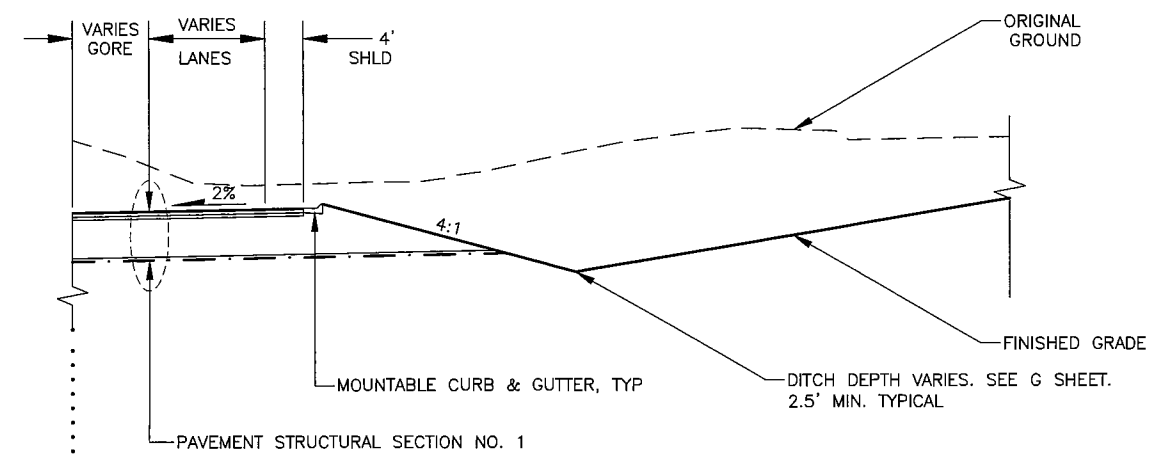
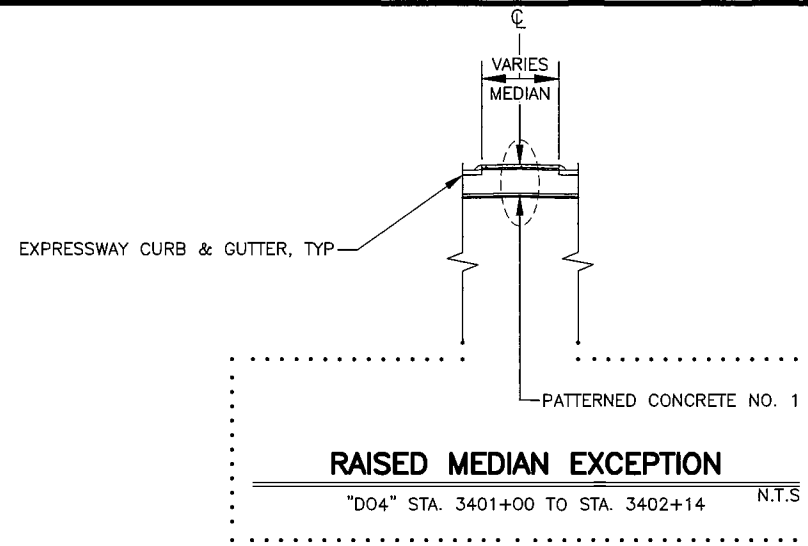
STATE OF ALASKA
 DEPARTMENT OF TRANSPORTATION
 AND PUBLIC FACILITIES

**DOWLING RD & SEWARD HWY
 RECONSTRUCTION**

TYPICAL SECTIONS

PLANS DEVELOPED BY:
 LOUNSBURY & ASSOCIATES INC.

NO.	DATE	REVISION	STATE	PROJECT DESIGNATION	YEAR	SHEET NO.	TOTAL SHEETS
			ALASKA	TBD/CFHWY00359	2020	B11	B14



STATE OF ALASKA
DEPARTMENT OF TRANSPORTATION
AND PUBLIC FACILITIES
**DOWLING RD & SEWARD HWY
RECONSTRUCTION**

TYPICAL SECTIONS

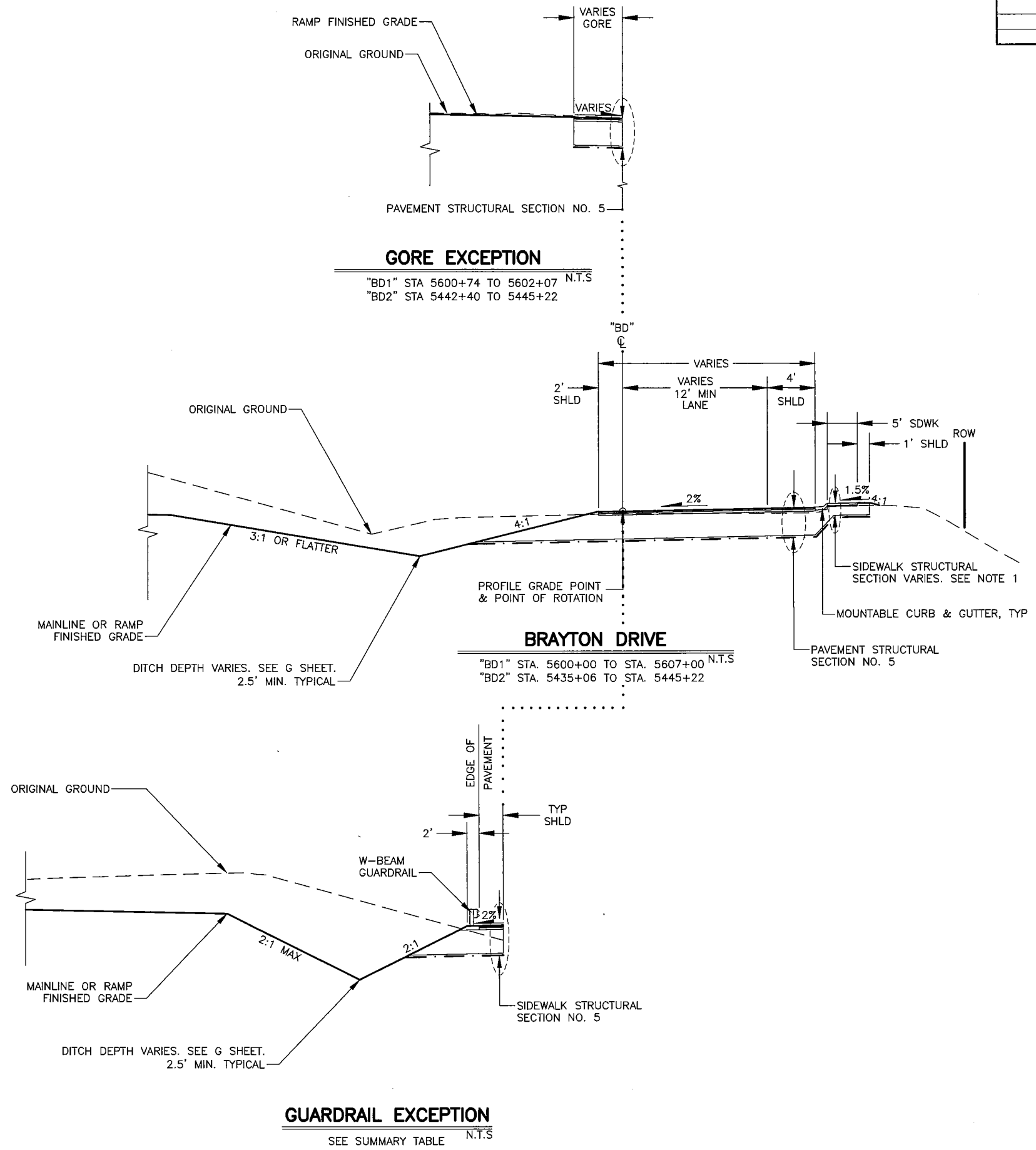
PLANS DEVELOPED BY: LOUNSBURY & ASSOCIATES ADDRESS: 5300 A STREET, ANCHORAGE, AK 99518 PHONE: (907) 272-5451 CERTIFICATE OF AUTHORIZATION NUMBER: AECC391

FILE LAYOUT DESIGNED SA CHECKED DJ DRAFTED

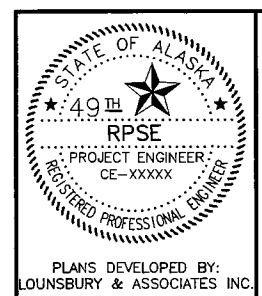
PLANS DEVELOPED BY: LOUNSBURY & ASSOCIATES ADDRESS: 5300 A STREET, ANCHORAGE, AK 99518 PHONE: (907) 272-5451 CERTIFICATE OF AUTHORIZATION NUMBER: AECO391

FILE DESIGNED SA CHECKED DRAFTED DJ

NO.	DATE	REVISION	STATE	PROJECT DESIGNATION	YEAR	SHEET NO.	TOTAL SHEETS
			ALASKA	TBD/CFHWY00359	2020	B12	B14



- NOTES:**
1. CONSTRUCT SIDEWALK STRUCTURAL SECTION NO. 1 ON "BD1" AND SIDEWALK STRUCTURAL SECTION NO. 2 ON "BD2"



STATE OF ALASKA
 DEPARTMENT OF TRANSPORTATION
 AND PUBLIC FACILITIES

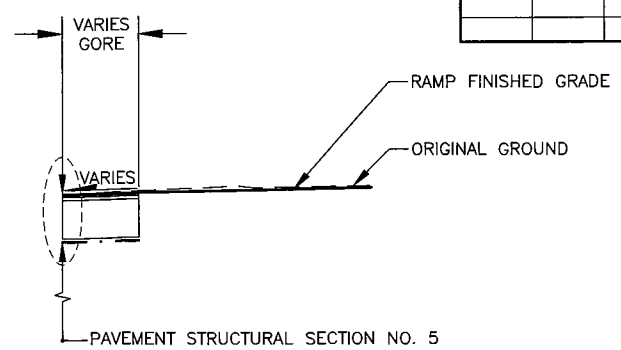
**DOWLING RD & SEWARD HWY
 RECONSTRUCTION**

TYPICAL SECTIONS

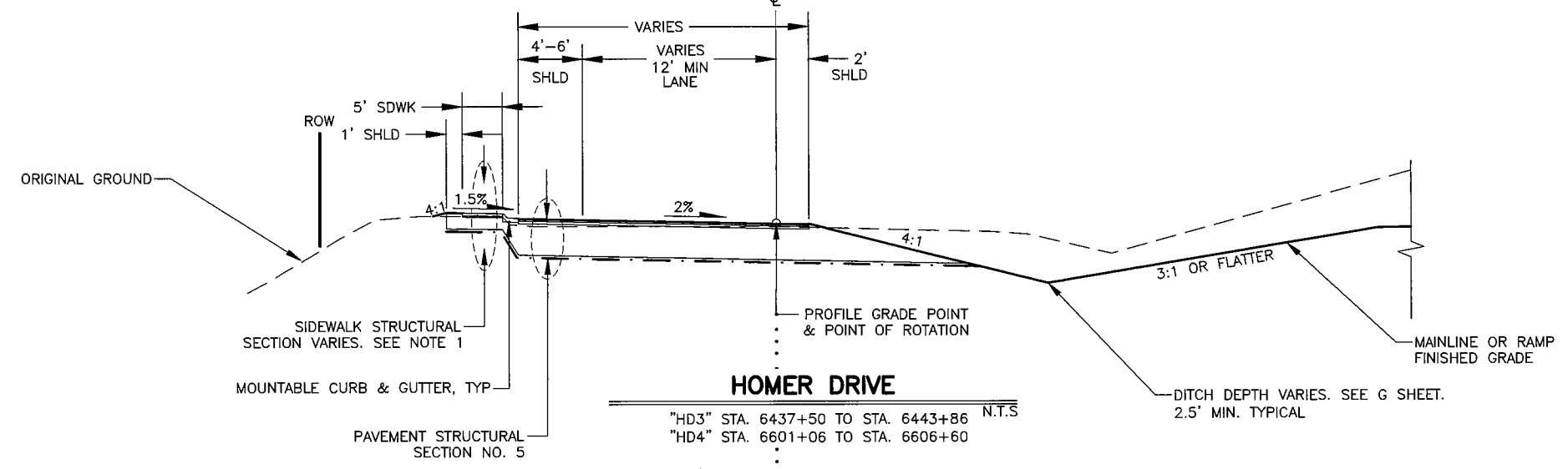
PLANS DEVELOPED BY:
 LOUNSBURY & ASSOCIATES INC.

NO.	DATE	REVISION	STATE	PROJECT DESIGNATION	YEAR	SHEET NO.	TOTAL SHEETS
			ALASKA	TBD/CFHWY00359	2020	B13	B14

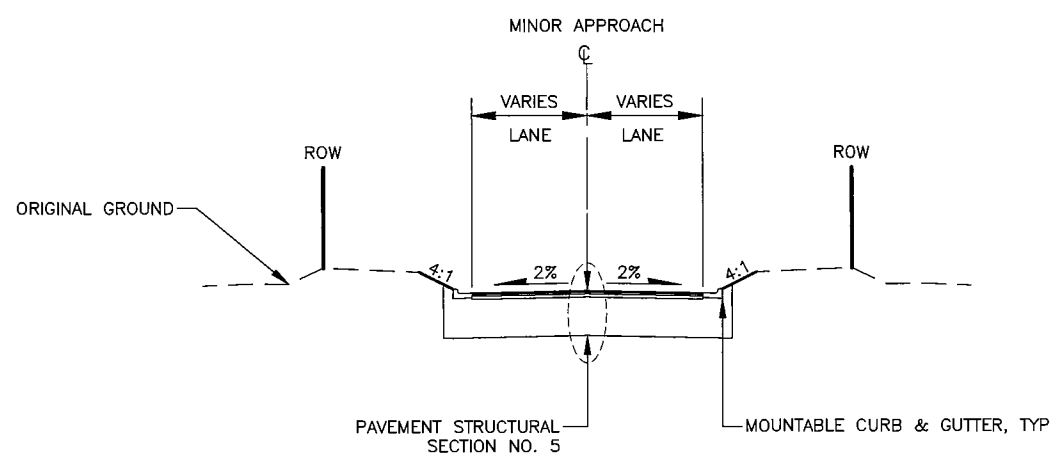
PLANS DEVELOPED BY: LOUNSBURY & ASSOCIATES ADDRESS: 5300 A STREET, ANCHORAGE, AK 99518 PHONE: (907) 272-5451 CERTIFICATE OF AUTHORIZATION NUMBER: AECC391



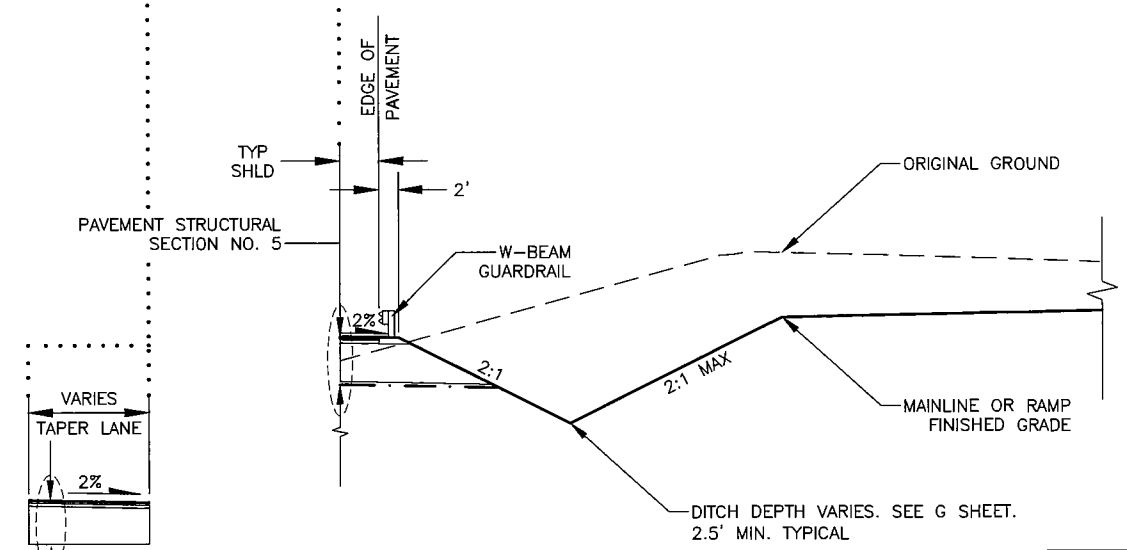
GORE EXCEPTION
 "HD3" STA 6441+72 TO 6443+86 N.T.S
 "HD4" STA 6601+06 TO 6602+97



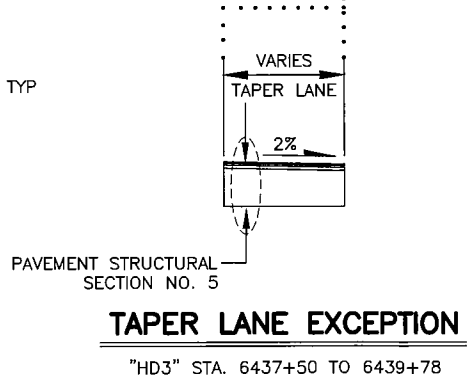
HOMER DRIVE
 "HD3" STA. 6437+50 TO STA. 6443+86 N.T.S
 "HD4" STA. 6601+06 TO STA. 6606+60



MINOR APPROACH
 N.T.S
 "ROWAN ST" STA. 10+60 TO STA. 11+08
 "ROSEWOOD ST" STA. 40+60 TO STA. 41+12
 "LOTOUCHE ST" STA. 20+60 TO STA. 21+13
 "GREENWOOD ST" STA. 30+60 TO STA. 31+06
 "E 64TH AVE" STA. 120+17 TO STA. 121+14

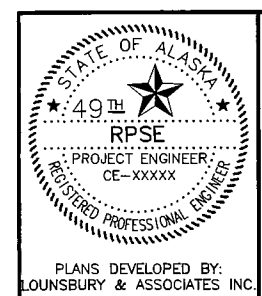


GUARDRAIL EXCEPTION
 SEE SUMMARY TABLE N.T.S



TAPER LANE EXCEPTION
 "HD3" STA. 6437+50 TO 6439+78

- NOTES:**
- CONSTRUCT SIDEWALK STRUCTURAL SECTION NO. 1 ON "HD4" AND SIDEWALK STRUCTURAL SECTION NO. 2 ON "HD3"

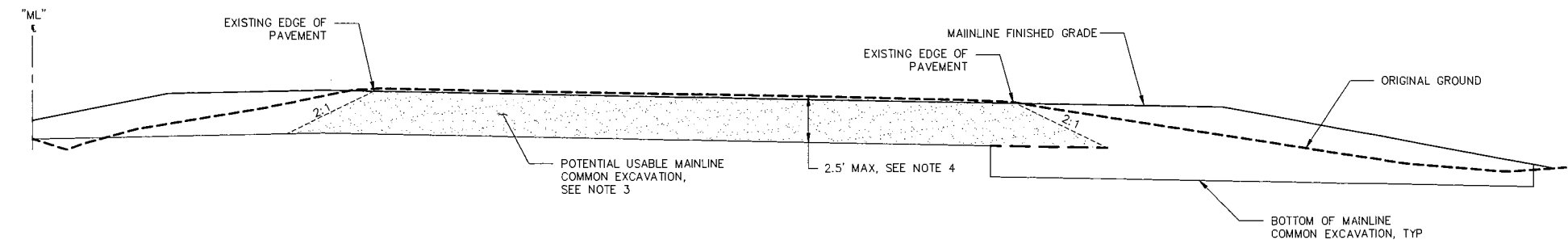


STATE OF ALASKA
 DEPARTMENT OF TRANSPORTATION
 AND PUBLIC FACILITIES
**DOWLING RD & SEWARD HWY
 RECONSTRUCTION**
 TYPICAL SECTIONS

PLANS DEVELOPED BY:
 LOUNSBURY & ASSOCIATES INC.

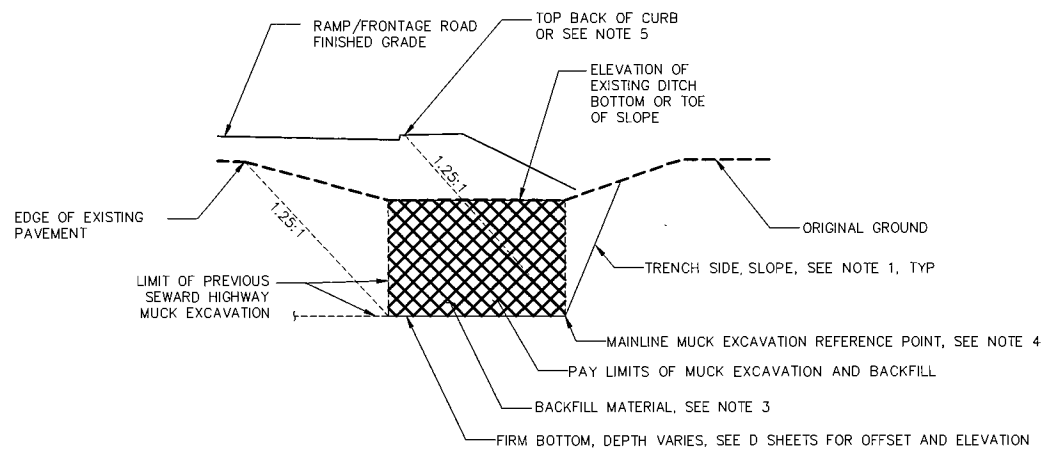
NO.	DATE	REVISION	STATE	PROJECT DESIGNATION	YEAR	SHEET NO.	TOTAL SHEETS
			ALASKA	TBD/CFHWY00359	2020	B14	B14

PLANS DEVELOPED BY: LOUNSBURY & ASSOCIATES ADDRESS: 5300 A STREET, ANCHORAGE, AK 99518 PHONE: (907) 272-5451 DATE/TIME: FILE
 CERTIFICATE OF AUTHORIZATION NUMBER: AECC391 LAYOUT DESIGNED SA CHECKED DJ DRAFTED



- NOTES**
- NORTHBOUND SHOWN FOR CLARITY, LIMITS OF POTENTIAL USEABLE MAINLINE COMMON EXCAVATION SIMILAR FOR SOUTHBOUND
 - SEE TYPICAL SECTIONS FOR PAVEMENT STRUCTURAL SECTION AND COMMON EXCAVATION LIMITS.
 - HATCHED AREA REPRESENTS THE LOCATION OF EXISTING EMBANKMENT MATERIAL THAT MAY BE ACCEPTABLE FOR USE AS SELECTED MATERIAL, TYPE A. PROCESSING OF THE EXCAVATED MATERIAL, INCLUDING SORTING, WASHING, SCREENING, CRUSHING, MAY BE REQUIRED TO MEET THE PROJECT SPECIFICATIONS FOR SELECTED MATERIAL, TYPE A.
 - PROJECT 2:1 SLOPE FROM THE EDGE OF EXISTING SHOULDER TO THE BOTTOM OF NEW STRUCTURAL SECTION. LIMIT DEPTH OF USABLE MAINLINE COMMON EXCAVATION TO 2.5' BELOW EXISTING PAVEMENT, OR AS DIRECTED BY THE ENGINEER.

SEWARD HIGHWAY – POTENTIAL USEABLE MAINLINE COMMON EXCAVATION
N.T.S.



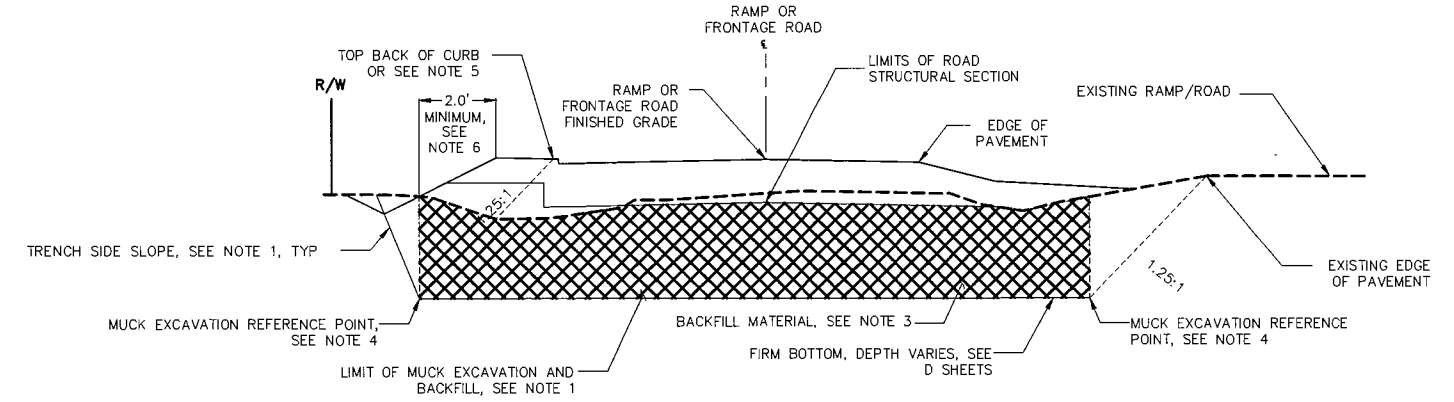
- NOTES**
- SLOPE EXCAVATION AS REQUIRED FOR STABILITY AND SHORE EXCAVATION AS REQUIRED TO CONTAIN GROUND SURFACE DISTURBANCE WITHIN THE ROW, TEMPORARY CONSTRUCTION PERMITS (TCP), TEMPORARY CONSTRUCTION EASMENTS (TCE) AND PERMITTED WETLAND IMPACTS.
 - SEE TYPICAL SECTIONS FOR PAVEMENT STRUCTURAL SECTION AND COMMON EXCAVATION LIMITS.
 - BACKFILL MUCK EXCAVATION WITH SELECTED MATERIAL, TYPE A OR USEABLE MAINLINE COMMON EXCAVATION (SEE TYPICAL USEABLE MAINLINE COMMON EXCAVATION DETAIL, ON THIS SHEET).
 - REFER TO ESTIMATED FIRM BOTTOM SUMMARY TABLES IN THE D SHEETS FOR APPROXIMATE STATION, OFFSET, AND ELEVATION OF OUTER LIMIT OF MUCK EXCAVATION.
 - WHEN THERE IS NO CURB, THE 1.25:1 SLOPE IS PROJECTED FROM THE EDGE OF PAVEMENT.

TYPICAL MUCK EXCAVATION – RAMP OR FRONTAGE ROAD
N.T.S.

- "D01" 3102+00 TO 3104+00 RT
- "D02" 3208+00 TO 3217+00 RT
- "D03" 3310+00 TO 3414+00 LT
- "D04" 3406+50 TO 3408+00 LT
- "HD4" 6601+06 TO 6604+56 LT

GENERAL MUCK EXCAVATION NOTES:

- LONGITUDINALLY TRANSITION INTO AND OUT OF FULL DEPTH MUCK EXCAVATION AT 4H:1V, UNLESS OTHERWISE NOTED. THE ESTIMATED FIRM BOTTOM SUMMARY TABLES (IN THE D SHEETS) TAKE INTO ACCOUNT THIS TRANSITION.

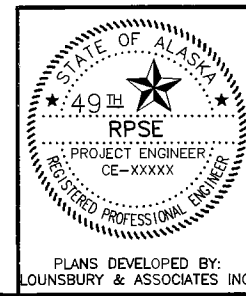


- NOTES**
- SHORE EXCAVATION AS REQUIRED TO CONTAIN GROUND SURFACE DISTURBANCE WITHIN THE ROW, TEMPORARY CONSTRUCTION PERMITS (TCP), TEMPORARY CONSTRUCTION EASMENTS (TCE) AND PERMITTED WETLAND IMPACTS.
 - SEE TYPICAL SECTIONS FOR PAVEMENT STRUCTURAL SECTION AND COMMON EXCAVATION LIMITS.
 - BACKFILL MUCK EXCAVATION WITH SELECTED MATERIAL, TYPE A OR USEABLE MAINLINE COMMON EXCAVATION (SEE POTENTIAL USEABLE MAINLINE COMMON EXCAVATION DETAIL, THIS SHEET).
 - REFER TO ESTIMATED FIRM BOTTOM SUMMARY TABLES IN THE D SHEETS FOR APPROXIMATE STATION, OFFSET, AND ELEVATION OF OUTER LIMIT OF MUCK EXCAVATION.
 - WHEN THERE IS NO CURB, THE 1.25:1 SLOPE IS PROJECTED FROM THE EDGE OF PAVEMENT.
 - WHERE PROJECTED POINT OF MUCK EXCAVATION OCCURS UNDER SIDEWALK OR PATHWAY, EXTEND MUCK EXCAVATION TO 2 FT BEYOND EDGE OF SIDEWALK OR PATHWAY.

TYPICAL MUCK EXCAVATION – REALIGNED RAMP OR ROUNDABOUT
N.T.S.

- "D04" 3401+00 TO 3406+50
- "D0" 3019+00 TO 3019+75
- "D0" 3021+00 TO 3022+00

ESTIMATED FIRM BOTTOM			
ALIGNMENT	STATION	ELEVATION	REMARKS
"D01"	3102+00 – 3104+00	123	
"D02"	3208+00 – 3217+00	118	
"D03"	3310+00 – 3314+00	117	
"D04"	3401+00 – 3408+00	117	TRANSITION FROM "D0"
"HD4"	6601+06 – 6604+56	117	10H:1V TRANSITION TO STRUCTURAL SECTION
"D0"	3010+00 – 3019+00	114	4H:1V TRANSITION TO "D04"
"D0"	3021+00 – 3022+00	116	



STATE OF ALASKA
DEPARTMENT OF TRANSPORTATION
AND PUBLIC FACILITIES
**DOWLING RD & SEWARD HWY
RECONSTRUCTION**

TYPICAL SECTIONS

PLANS DEVELOPED BY:
LOUNSBURY & ASSOCIATES INC.

